

SPECIFICATIONS

Height at crank handle - MAX:	57 inches
Height at crank handle - MIN:	39 inches
Base Width:	25 inches
Base Height (Clearance):	5.25 inches
Base Length OPEN:	30 inches
Base Length CLOSED:	13 inches
Caster Size:	4.0 inches
Sling Options:	“Split” style “Seat” style
Weight Capacity:	300 lbs.
Weight OUT of Carton:	47 lbs.
Weight IN Carton:	65 lbs.
Warranty:	1 Year

SLINGS	Seat Sling	Split Sling
Width	23	29
Length	29	31

FEATURES

- Weight limitation is 300 lbs.
- Base and arms fold for storage and transport.
- Transfer aid weight is 47 lbs.
 - Transfer aid may be disassembled into two parts of approximately equal weight.
- Force required to turn crank is typically less than 5 lbs.
- Range: 18 inch stroke allows transferring from surfaces between approximately 12 in and 30 in high.*
 - Optional extension straps allow for lifting from floor to 18" seat height.
- Transfer aid may be folded and rolled like a piece of rolling luggage.

* Range depends on sling adjustment.

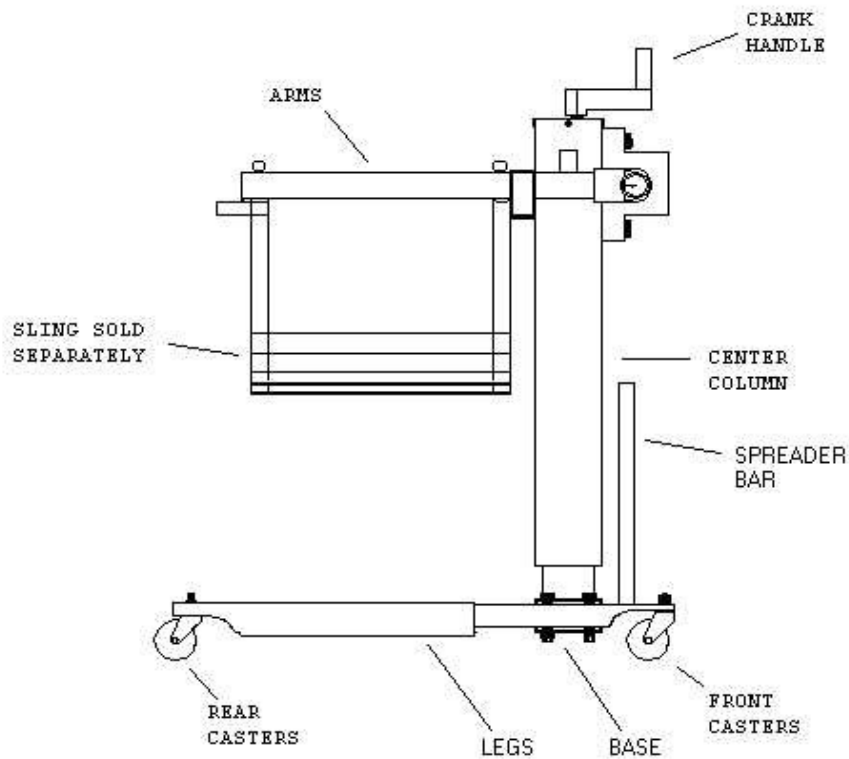


FIGURE 1 - SIDE VIEW OF MODEL 1000